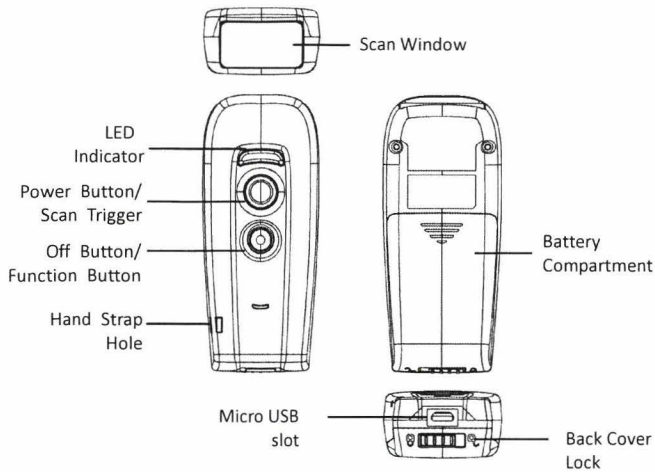


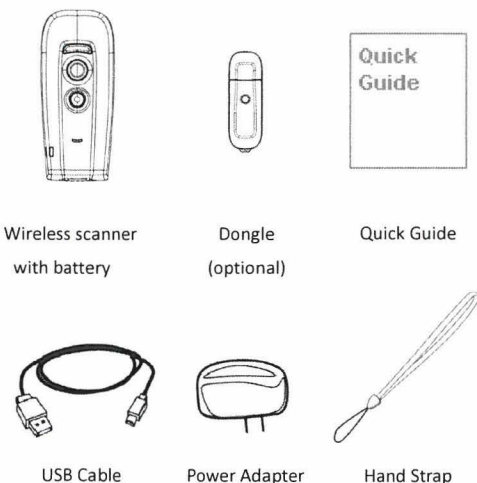
Scanner Outline



Description	Function
Scan Window	Emits a red beam for barcode reading
LED Indicator	Indicates the scanning status
Power Button/Scan Trigger	Press and hold for 3 second until a long beep is heard to turn power on or press to scan barcodes
Off /Function Button	Press and hold for 5 second until 2 short beeps are heard to turn power off; press to open on-screen keyboard on your tablet or phone (iOS only)
Hand Strap Hole	Used to attach hand straps
Battery Compartment	Batteries are stored here
Micro USB slot	Used for communication and charging
Back Cover Lock	Secures the battery compartment

Package Contents

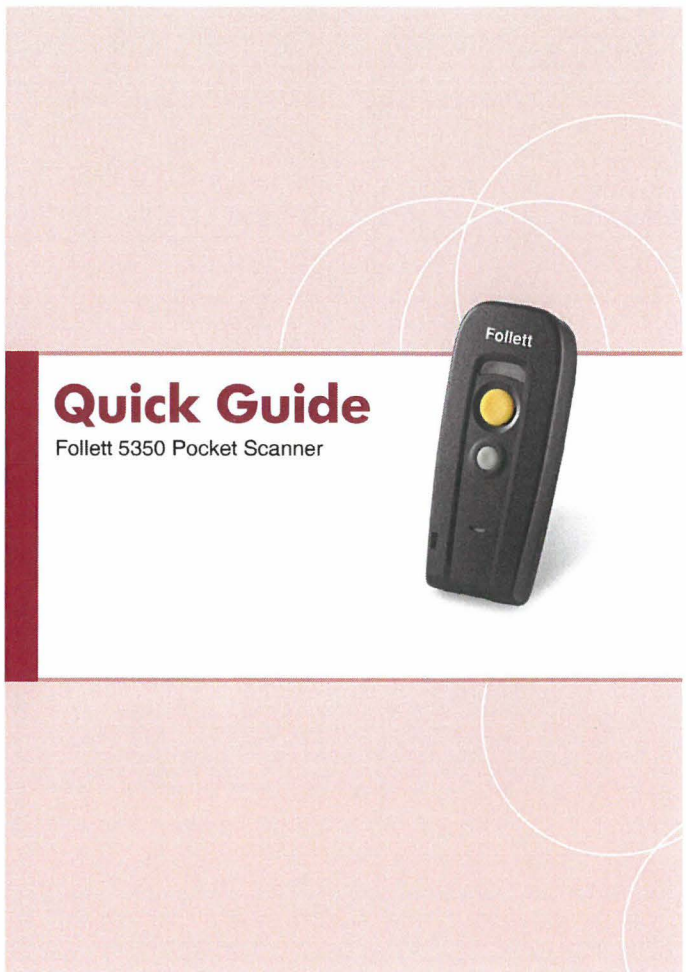
Items contain in the package may vary depending on the model of the scanner.



*Note: Actual product appearance may vary from the images on this page.

Important Notice

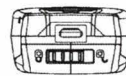
No warranty of any kind is made in regard to this material, including, but not limited to, implied warranties of merchantability or fitness for a particular purpose. We are not liable for any errors contained herein or incidental or consequential damages in connection with furnishing, performance or use of this material.



Charging the Device

Installing Battery

1. Unlock and remove the back cover then insert the battery.



Warning:
Do not open with force.
Please unlock before opening.

2. Place the back cover back on the scanner and move the lock to the lock position.

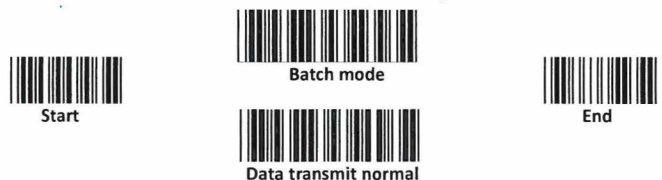
Charging the Battery

There are two methods to charge scanner via USB cable.

- Host USB Power
 - Power adapter
1. Connect the micro USB connector directly to the scanner.
 2. Connect the other end of the USB connector to the host to begin charging. You can also connect the USB cable to an outlet using the power adapter to charge the battery.
 3. The battery begins charging when the scanner LED indicator starts flashing.
 4. LED turns steady green when charging is completed.

Batch Mode

Whether within the connection range or not, in batch mode, the scanner stores all scanned data that will be transferred to the host computer .



1. Enable Batch mode and data is ready to be transferred upon USB connection. Note: to exit Batch mode, scan Data transmit normal.
2. Press and hold the yellow trigger for over 1 second to send the data.
3. Saved data are cleared after they are transferred to the host.

Pairing the Device

For smart phones/tablets with iOS 7 or Android 5.0 and higher:

1. Enable SSP function to connect to the host without a pin code.



2. The scanner should be on the list of discoverable devices. The default name of the scanner is "Follet 5350".
3. Select "Follet 5350" from the list to connect the device.

For all other iOS and Android versions (Default Setting):

1. Enable Multimedia keyboard mode to display on-screen keyboard on the mobile device when you press the Function button.



2. Enable wireless connection on your host and set it to discover other wireless devices in its surrounding.
3. The scanner should be on the list of discoverable devices. The default name of the scanner is "Follet 5350 ". Select "Follet 5350 " from the list.
4. Use the scanner to scan the ASCII table in previous section to input pin code. For example: if the pin code is "0111", scan "0", "1", "1", "1" from ASCII barcode labels.
5. Scan the Enter barcode to confirm.

ASCII Table

For Windows OS:

BT HID Mode

1. Power on the scanner and program it with "BT HID Mode" if necessary. To connect a smart mobile phone (for example, iPhone, Android), the Smart phone mode must also be enabled.

*Note: Scanner is preprogrammed with BT HID mode as default.



2. Enable wireless connection on your host and set it to discover other wireless devices in its surrounding.
3. The scanner should be on the list of discoverable devices. The default name of the scanner is "Follet 5350". Select "Follet 5350" from the list and you will be prompted to enter a pairing pin code. The default pin code is "12345678".
4. A short beep should be heard upon connection.

SPP Client Mode (PC as Host)

1. Turn on the host computer and activate its wireless connection.
2. Select "Add wireless device". Or open the dialog BT devices to add.
3. Power on the scanner and program it with "SPP Client mode" label.



4. On Devices tab, click Add to open the Add wireless Device Wizard.
5. Select the "My device is set up and ready to be found" then click Next.
6. The scanner should be on the list of discoverable devices. The default name is "Follet 5350". Select "Follet 5350" and click "Next".
7. Select "Let me choose my own passkey" and enter the pin code. The default pin code is "12345678".

Click "Next". A short beep should be heard upon connection.

SPP Host Mode (Scanner as Host)

1. Power on of the remote device and have its address ready in hand and make it discoverable.
2. Program the scanner with the "SPP Host enable" barcode.



3. Scan "Set wireless address" to set the address.



4. Use the ASCII table in previous section to input the 12 digit wireless address. For example: if the address is "011B1345600", scan "0", "0", "1", "1", "B", "1", "3", "4", "5", "6", "0", "0" from ASCII barcode labels.

5. Scan "Confirm Setting" to store the address.



6. Setup and input the pin code if necessary. Scan "Required Pair with Client (SPP Host)" to begin pairing.



Required Pair with client (SPP Host)